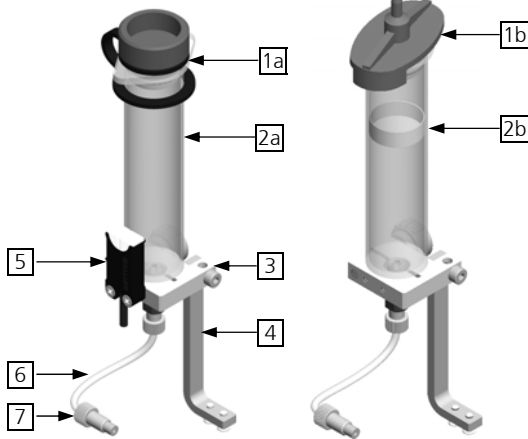


Quick guide 'Reservoir Plastic'

Reservoir plastic

pressureless with sensor

compressed air

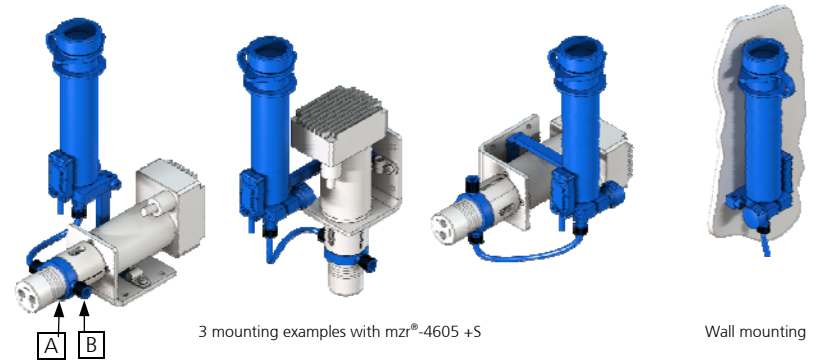
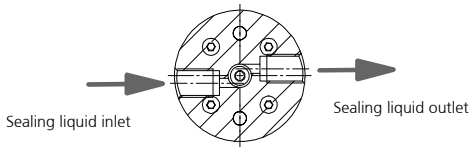


Items and descriptions

Pos.-Nr.	Description	Wetted materials
1a	Sealing cap pressureless, O-ring choosable	POM, FPM / FPM / EPDM
1b	Sealing cap compressed air adapter	-
2a	Cartridge 30 ml	PP
2b	Cartridge 30 ml, piston	PP, PE
3	Cartridge holder	-
4	Support arm	-
5	Level sensor with fastener (optional accessory)	-
6	Liquid supply tube 1/8"	Tefzel®
7	Fitting 1/4"-28 UNF, lock ring, ferrule	PEEK™
A	Fluidic seal module with connection 1/4"-28 UNF	(see manual mzr®-pump)
B	Screw plugs (2x) 1/4"-28 UNF	Delrin®

Mounting examples

Fluidic seal module (schematic sectional view)

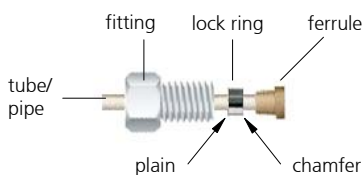


Function

The 'reservoir plastic' is an additional module for mzr®-pumps with a fluidic seal module [A]. The cartridge [2a] / [2b] stores the sealing liquid and supplies the fluidic seal chamber between the two shaft seals of the mzr® pump with sealing liquid. For further information please check the operating manual.

Installation / Mounting

- Mount and adjust the 'reservoir plastic' according to the mounting examples
- Remove the screw plug [B] from the lower side of the fluidic seal module (sealing liquid inlet)
- If necessary, shorten the liquid supply tube [6] of the reservoir plastic and prepare the connection as shown in following figure



- Screw the fitting [7] into the sealing liquid inlet hand-tight

Level sensor (optional accessory)

It is a capacitive level sensor for monitoring the filling level in the cartridge.

- Mount the sensor [5] as shown in the examples and connect it according to the electrical instructions
- Perform a functional test with sealing liquid

Commissioning

Note! Before commissioning, check compatibility of the sealing liquid with the process liquid.

- Remove sealing cap [1a] or compressed air adapter [1b] from cartridge [2a] / [2b]
- Fill cartridge with sealing liquid
- Close cartridge tightly
- Remove sealing cap [B] from the mzr®-pump carefully and ventilate the fluidic seal chamber until sealing liquid comes out the outlet. Following, tighten the sealing cap again
- Check tightness of the system

The fluidic seal module of the mzr®-pump is now ready for operation.

Maintenance / Filling

- Stop pump operation
- Carry out the commissioning procedure

Note

The pump operator must verify the compatibility of the wetted parts material with the liquids to be handled.

The sealing cap [1a] has a lateral opening for the supply of air flow.

The supply of sealing liquid to the fluidic seal chamber must always be enough to prevent any entry of air and moisture in the module. Otherwise, the service life of the seals decreases considerably.

During the operation of the pump, the sealing liquid is minimally consumed. The filling level can also be reduced by evaporation / diffusion and / or wear of the shaft seal.

If the fluidic seal chamber is empty, the pump should be stopped immediately. Dry operation of the pump may lead to shaft seal damage. With the additional level sensor, this can be detected and avoided.

Contact

HNP Mikrosysteme GmbH
Bleicherufer 25 · D-19053 Schwerin

phone +49 385 52190-301
fax +49 385 52190-333

e-mail info@hnp-mikrosysteme.de
http://www.hnp-mikrosysteme.de