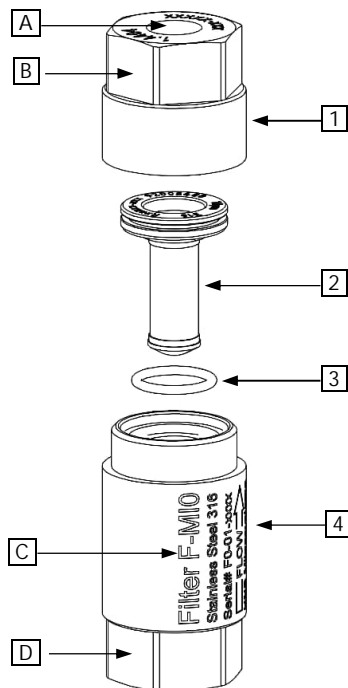


## Quick Guide Inline Filter F-MIO-I



### Technical Data

Dimensions	Value	Pressures	max. Value
Filter area	approx. 1.3 cm <sup>2</sup> (0.202 sq.in.)	Operating pressure (depends on temperature)	200 bar (2900 psi) till 50 °C (122 °F) 170 bar (2460 psi) till 100 °C (212 °F) 155 bar (2245 psi) till 150 °C (302 °F)
Dimensions (Ø x H)	Ø 14 x 34 mm (Ø0.55 x 1.34 in.)	Differential pressure	5 bar (72.5 psi)
Empty volume	0.3 ml (0.02 cu.in.)		

### Items and descriptions

Item no.	Description	Stainless steel (-s)	Alloy C22 (-y)
1	Filter cover	1.4404	2.4602
2	Filter element (mesh sizes)	1.4404 (10, 25 µm)	2.4602 (10, 25 µm)
3	O-ring Ø 6.0 x 1.0 mm	refer to table "Sealing materials..." below	
4	Filter housing	1.4404	2.4602
A	Fluid connection 1/4" -28 UNF (2 times, only outlet port shown)		
B	Hexagon AF 12		
C	Label with specifications and flow direction		
D	Hexagon AF 12		

### Sealing materials and Operating temperature ranges

Sealing material	Temperature range
-v FPM	-15...+150 °C (5...302 °F)
-e1 EPDM (FDA compliant)	-50...+140 °C (-58...284 °F)
-f8 FFFM (FDA compliant, USP Class VI)	-10...+150 °C (-14...302 °F)

### Safety instructions

All of the following tasks must be carried out only by professional and qualified personnel. The filter must be operated within its specifications. Manipulation, misuse and damaging of the filter are forbidden. It is only allowed to use original-spare parts. The internal safety instructions for the used medium must be observed.

### Installation/Assembly

- The filter should be placed upstream of the component to be protected (i.e. pump)
- The outlet port **A** should point upwards
- Fasten the filter in the system using a Ø 14 mm pipe clamp (not included in the scope of delivery)  
**1** The filter may only be fastened via fluid connections **A** as long as pipes are connected which are themselves fastened directly in front of or behind the filter in the system.
- Ensure a tension free connection of the system tubing to the fluidic connections **A**

### Commissioning

- Ensure media supply
- Switch on the system

### Decommissioning

- Ensure system is shut down, depressurized and eventually cooled down
- Interrupt media supply

### Exchange of filter element

- Required tools / assistive equipment:
  - thread-locking adhesive, low-strength
  - wrench width across flats (AF) 12
  - bench vice (alternatively a second wrench AF 12)
  - torque wrench AF 12, set to 1,0 Nm
- Decommissioning (see above)
- Empty the filter in the system
- Remove the filter from the system
- Clamp the filter housing **4** on the wrench flat AF 12 **D** in the bench vice
- Screw the filter cover **1** from the filter housing **4** by using a wrench at the wrench flats AF 12 **B**
- Remove filter element **2** from filter housing **4**

- Clean all parts (especially remove thread adhesive residues)
- Inspect all parts for damage (especially O-ring **3** and threads) – replace components if necessary
- Carefully attach the O-ring **3** new or cleaned filter element **2**
- Carefully insert the filter element **2** by hand into the filter housing **4**
- Apply thread-locking adhesive to the middle threads of the filter housing **4** over half a turn
- Carefully screw the filter cover **1** onto the filter housing **4**
- Tighten the filter cover **1** at the wrench flats **B** using torque wrench AF 12
- Install the filter into the system according to the installation/assembly instructions
- Perform a pressure test and make a visually inspect of all sealing points
- Commissioning (see above)