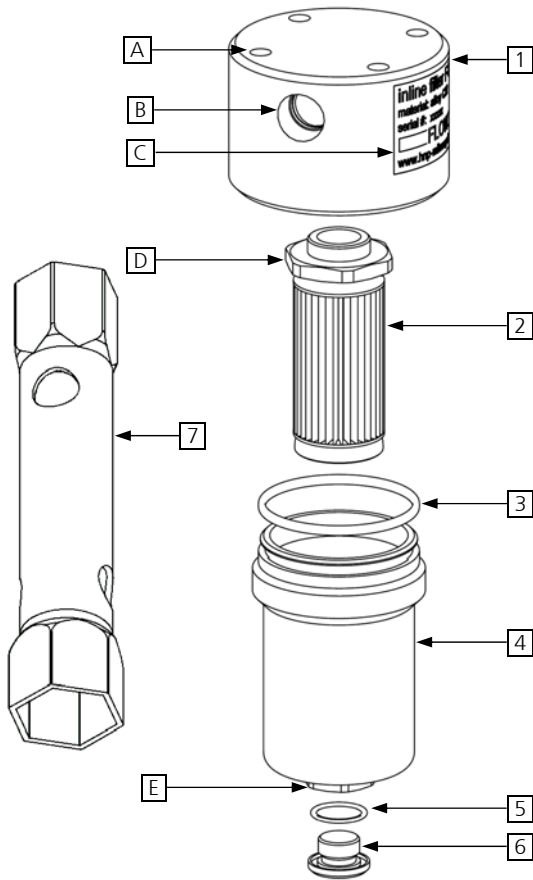


# Quick Guide Inline Filter F-MI3-T



## Technical Data

| Dimensions         | Value                                | Pressures             | Value                      |
|--------------------|--------------------------------------|-----------------------|----------------------------|
| Filter area        | 160 cm <sup>2</sup><br>(24,8 sq.in.) | Operating pressure    | max. 200 bar<br>(2900 psi) |
| Dimensions (Ø x H) | Ø 70 x 114 mm<br>(Ø 2,76 x 4,49 in.) | Differential pressure | max. 10 bar<br>(145 psi)   |
| Volume             | 92 ml (5,61 cu.in.)                  |                       |                            |

## Items and descriptions

| Pos.-Nr. | Description  | Stainless steel                               | Alloy C22         |
|----------|--|---|-------------------|
| 1        | Filter head  | 1.4404  | 2.4602            |
| 2        | Filter element<br>(mesh sizes)                     | 1.4401, 1.4404, 1.4571<br>(3, 10, 25, 100 µm) | 2.4602<br>(10 µm) |
| 3        | O-ring Ø 45,69 x 2,62                              | refer to Table "Sealing materials..." below   |                   |
| 4        | Filter housing                                     | 1.4404  | 2.4602            |
| 5        | O-ring Ø 15,1 x 1,6                                | refer to Table "Sealing materials..." below   |                   |
| 6        | Drain plug G 1/4"                                  | 1.4404  | 2.4602            |
| 7        | Deep socket wrench AF 32 available separatly       |   |                   |
| A        | Mounting holes M8 (4x)                             |   |                   |
| B        | Fluidic connection 3/8" NPT (2x, Inlet port shown) |   |                   |
| C        | Label with specifications and flow direction       |   |                   |
| D        | Hexagon bolt AF 32                                 |   |                   |
| E        | Hexagon bolt AF 21                                 |   |                   |

## Sealing materials and Operating temperature ranges

| Sealing material | Description manufacturer | Temperature range            |
|------------------|--------------------------|------------------------------|
| FPM              | Vi650                    | -10...+200 °C (14...392 °F)  |
| EPDM (FDA)       | AP310                    | -40...+140 °C (-40...284 °F) |
| FFPM             | Kalrez® Spectrum™ 6375   | -20...+275 °C (-4...527 °F)  |
| FFPM (FDA)       | Kalrez® 6221             | -20...+260 °C (-4...500 °F)  |
| FFPM (HP/LT)     | Perlast ICE G90LT        | -46...+240 °C (-51...464 °F) |

## ⚠ Safety instructions

All of the following tasks must be carried out only by professional and qualified personnel.

The filter must be operated within its specifications. Misuse and damaging of the filter are forbidden.

Only original-spare parts must be used.

## Installation/Assembly

- The filter should be placed in front of the component to be protected (i.e. pump)
- Use the fastening bores **A** to mount the filter in the system – the filter housing **4** must point downwards
- ⚠ **Attention!** Fastening the filter only by the fluidic connections **B** is not allowed!
- Ensure a strainless connection of the system tubing to the fluidic connections **B**
- ⚠ **Attention!** Basically, for fluidic connectors with NPT-threads please use an appropriate sealing lubricant (i.e. PTFE-tape)! **1** Instead of the drain plug **6** you can also connect a drain line to the G 1/4"-thread.

## Commissioning

- Ensure liquid supply
- Switch system on

## Decommissioning

- Ensure the system is shut down, depressurized and eventually cooled down
- Interrupt the liquid feed

## Exchange of filter element

- Required tools / assistive equipment: thread lubricant, Allen wrench size AF 5, ring or folk spanner AF 21, deep socket wrench AF 32 **7**
- Decommissioning (see above)
- Unscrew drain plug **6** carefully counter clockwise (ccw) with Allen wrench AF 5 out of filter housing **4**. If necessary, hold filter housing **4** at the hexagon bolt AF 21 **E**
- Contain drain plug **6** and rests of liquid
- ⚠ **Attention!** The drain plug comes with an O-ring **5**.
- Unscrew filter housing **4** at the hexagon bolt AF 21 **E** ccw out of the filter head **1**
- Put the deep socket wrench **7** over the filter element **2** until it engages with the width across flats **D**. Unscrew filter element **2** ccw from the filter head **1**.

- Clean all parts and inspect for damage (especially seals **3** **5** and threads) – Replace components if necessary
- Carefully insert the new or cleaned filter element **2** by hand into the filter head **1**
- ⚠ **Attention!** Do not tighten manually (possible deformation)!
- Put the deep socket wrench **7** over the filter element **2** until it engages the width across flats **D** and fasten it clockwise (cw) hand-tight.
- Insert the drain plug **6** including O-ring **5** into the filter housing **4** and fasten it cw hand-tight with the Allen wrench AF 5
- Apply thread lubricant on the thread of the filter housing **4** and carefully screw it cw into the filter head **1**
- 1** For a faster commissioning, the filter housing **4** can be filled in advance with liquid to about 2/3.
- Screw the filter housing **4** by the hexagon bolt AF 21 until limit stop, then unfasten 1/4 of a turn
- Perform pressure test and make a visual inspection of all sealing points
- Commissioning (see above)

## Contact

HNP Mikrosysteme GmbH  
Bleicherufer 25 · D-19053 Schwerin

phone +49 385 52190-301  
fax +49 385 52190-333

e-mail info@hnp-mikrosysteme.de  
http://www.hnp-mikrosysteme.de