

Product information

mzr-7242 · Modular pump series



Description

The micro annular gear pump mzr-7242 of the modular pump series is suitable for dosing and metering in low to medium pressure and viscosity ranges. To the main assets of this series belong low pulsation, high precision low volume dosage of non-lubricating liquids, compact design with smallest dimensions and low price. These pumps are suitable for dosing and dispensing deionized water, aqueous solutions, solvents as well as low to highly viscous oils, lubricants or dyes.

Advantages

- Compact dimensions
length 132 mm
- High dosage precision
precision CV 1 % at low volumes
- Small dosage volumes, high flow rates
smallest volume 30 µl, flow up to 288 ml/min
- Long service life
wear-resistant tungsten carbide
- Low pulsation delivery, low shear stress
rotary micro annular gear technology

Applications

- Analytical instrumentation
- Fuel cells
- Biotechnology
- Laboratory automation
- In vitro diagnostics

Technical data

Flow rate	4.8 - 288 ml/min
Smallest dosage volume	30µl
Displacement volume	48µl
Differential pressure range	0 - 5 bar (73 psi)
Maximum inlet pressure	1 bar (15 psi)
Liquid temperature range	-20 ... +60 °C (-4 ... +140 °F)
Viscosity range	0,3 - 100 mPas
Precision CV	1% (Coefficient of variation CV)
Velocity range	100 - 6,000 rpm
Fluid connection	1/8" NPT internal thread, lateral
Wetted parts	Pump case: stainless steel 316L, rotors: tungsten carbide Ni-based; bearing: ceramics; epoxy resin; shaft seal: graphite-reinforced PTFE, stainless steel 316L; static seals: FPM, optional: EPDM, FFPM
Motor	DC-motor with graphite brushes, assigned power rating 21 W, nominal voltage 12 V, digital optical encoder 256 counts per turn, Line Driver
Dimensions (L x W x H)	approx. 132 x 42 x 60 mm
Weight	approx. 800g
Remarks	Customized solutions on request.

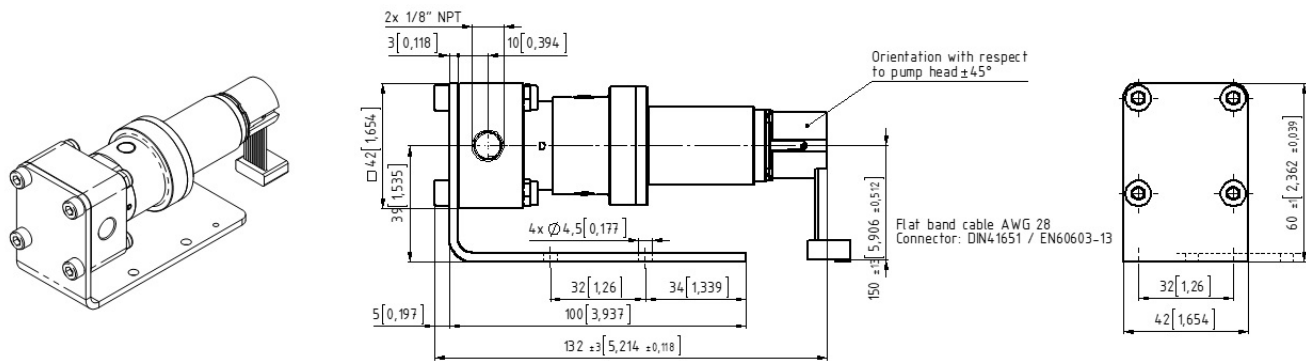
Notice

Even if single parameters are within the indicated performance range of technical data, certain parameter combinations may not be achievable. Single parameters may exceed their indicated performance range under adequate circumstances. For detailed evaluation please contact HNP Mikrosysteme. Actual performance may vary. Specifications are subject to change without notice.

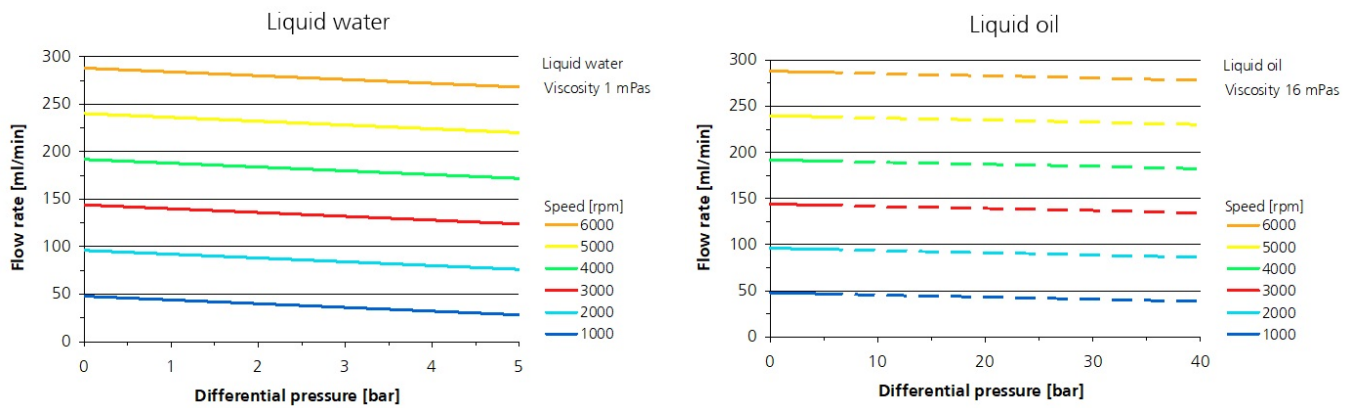
Accessories

- mzi-Touch Control

Dimensions



Flow charts



Patents and trademarks

Micro annular gear pumps (and housings) are protected by assigned patents: EP 1 354 135 B1; US 7,698,818 B2; DE 10 2011 001 041 B4; CN 103 348 141 B; US 10,012,220 B2; CN 103 732 921 B; US 9,404,492 B2; US 6,520,757 B1.
 HNPM[®], mzt[®], MoDoS[®], µ-Clamp[®], µDispense[®], Centifluidic Technologies[®], LiquiDoS[®], smartDoS[®], ColorDoS[®] are registered German trademarks of HNP Mikrosysteme GmbH.

Contact

HNP Mikrosysteme GmbH
 Bleicherufer 25
 19053 Schwerin
 Germany

T +49 385 52190-300
 F +49 385 52190-333
 info@hnp-mikrosysteme.de

Last update 2019/08