

## Product information

### mzr-4661 - Magnetic hermetic pump series



#### Description

The micro annular gear pump mzr-4661 is suitable for handling crystallizing, oxygen or moisture sensitive liquids, because the pump has no shaft seal. This functionality is made possible thanks to a liquid-separating cup surrounding the magnetic drive. The compact dimension of this magnetic hermetic pump is achieved by a completely new product design and optimal matching with an integrated speed controller. With a diameter of 22 mm and 69 mm in length, the pump weighs 115 g. The pump handles flow rates from 4.8 to 72 ml/min with a high precision and low pulsation. The pump is suitable for applications where an avoidance of leakage and a long service life as well as low energy consumption are important requirements. The pump is supplied with a terminal box for speed control and LED status indicator.

#### Advantages

- Hermetic pump design  
pump without shaft seal
- Magnetic drive  
inner magnet system driven by rotating magnetic field
- Integrated controller  
supply voltage 24 V DC, speed control by analog input  
0-10 V
- Compact dimensions  
diameter 22 mm, length 69 mm
- Long service life  
wear-resistant, ultra-hard materials

#### Applications

- Fuel cells
- Dosing of AdBlue
- Mobile analytics
- Biotechnology
- Marine technology
- Metering of liquefied gases
- Aerospace industry

## Technical data

Flow rate	4.8 - 72 ml/min
Displacement volume	12µl
Maximum system pressure	6 bar (87 psi) (60 bar (870 psi)*) (inlet pressure + differential pressure)
Differential pressure range	0 - 5 bar (73 psi)
Liquid temperature range	-15 ... +60 °C (+5 ... +140 °F)
Viscosity range	0.3 - 50 mPas
Velocity range	400 - 6,000 rpm
Fluid connection	slip fittings with outside diameter 2 mm optional: manifold assembly M2.1
Wetted parts	stainless steel 316L, 318LN, ceramics, tungsten carbide Ni-based, epoxy resin; static seals: FPM, optional: EPDM, FFPM
Motor	canned BLDC-motor, 24 V DC, 8.9 W
Controller	integrated speed controller
Interface	0–10 V
Electrical connection	6-pole connector, Micro-Fit
Dimensions (L x W x H)	Ø 22 mm, length 69 mm
Weight	approx. 115 (manifold assembly approx. 145)g
Remarks	*Customized solution on request.

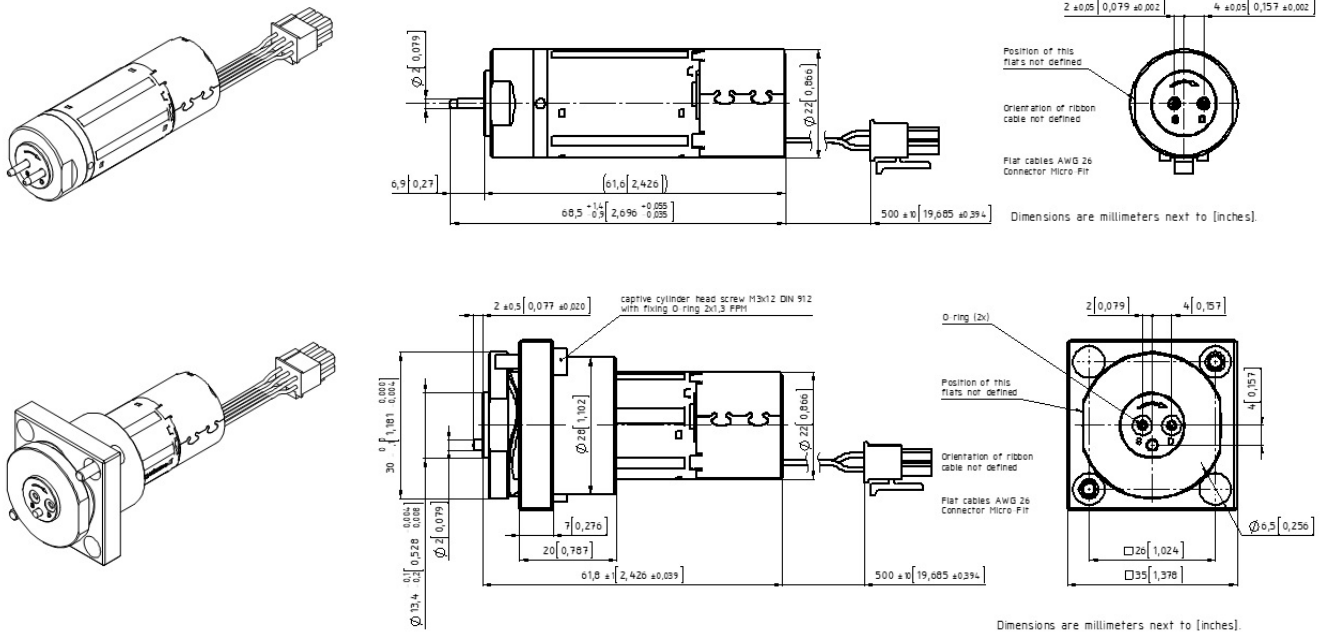
### Notice

Even if single parameters are within the indicated performance range of technical data, certain parameter combinations may not be achievable. Single parameters may exceed their indicated performance range under adequate circumstances. For detailed evaluation please contact HNP Mikrosysteme. Actual performance may vary. Specifications are subject to change without notice.

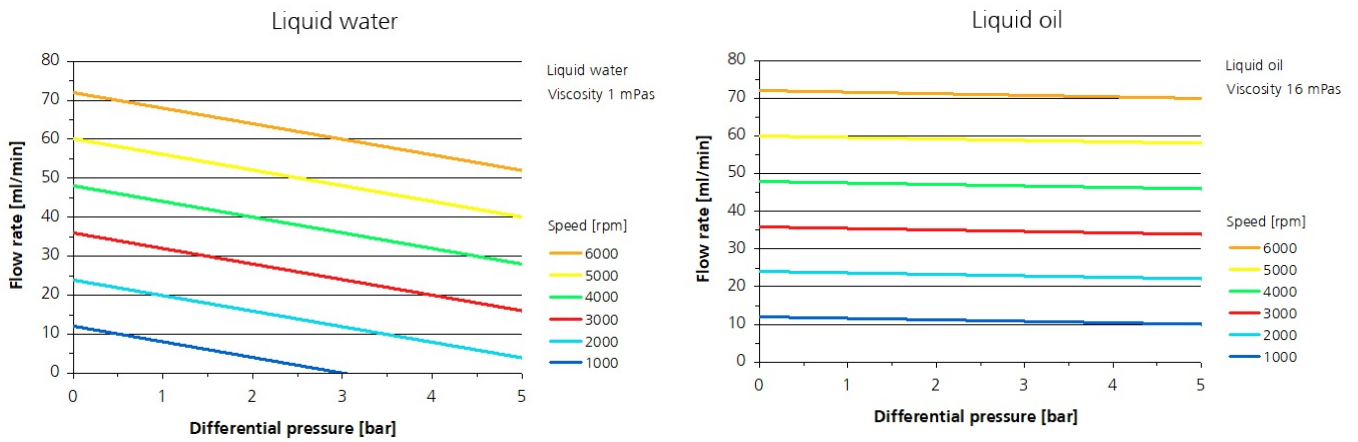
## Accessories

- Terminal box S-G61

## Dimensions



## Flow charts



## Patents and trademarks

Micro annular gear pumps (and housings) are protected by assigned patents: EP 1 354 135 B1; US 7,698,818 B2; DE 10 2011 001 041 B4; CN 103 348 141 B; US 10,012,220 B2; CN 103 732 921 B; US 9,404,492 B2; US 6,520,757 B1.  
HNP M<sup>®</sup>, mzt<sup>®</sup>, MoDoS<sup>®</sup>,  $\mu$ -Clamp<sup>®</sup>,  $\mu$ Dispense<sup>®</sup>, Centifluidic Technologies<sup>®</sup>, LiquiDoS<sup>®</sup>, smartDoS<sup>®</sup>, ColorDoS<sup>®</sup> are registered German trademarks of HNP Mikrosysteme GmbH.

## Contact

HNP Mikrosysteme GmbH  
Bleicherufer 25  
19053 Schwerin  
Germany

T +49 385 52190-300  
F +49 385 52190-333  
info@hnp-mikrosysteme.de

Last update 2019/08