

## Product information

### mzr-2909 Ex · Ex-versions



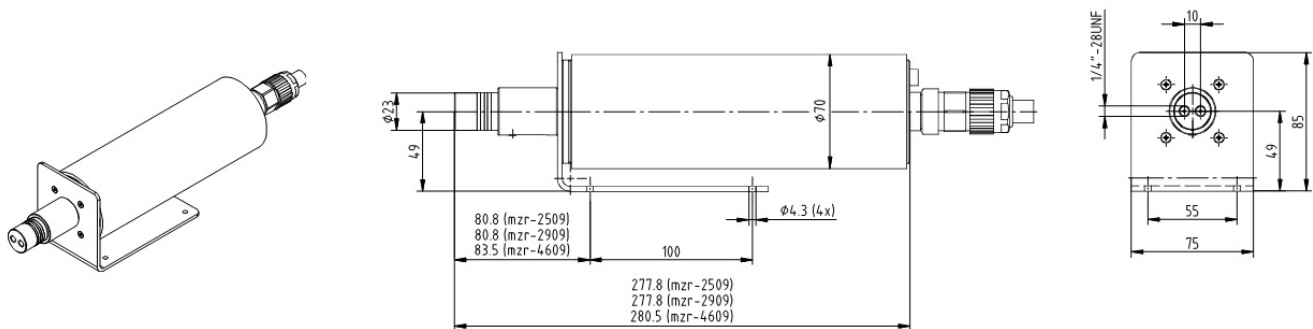
#### Description

The micro annular gear pump mzr-2909 Ex covers the flow range 0.003 - 14 ml/min. The highly precise, low pulsation small volume dosage even of non-lubricating liquids or at high pressure, the compact design of this Ex-pump, the broad viscosity range and the small dimensions are unique features of this pump series. The pumps are applied in the field of chemical and process technology and are suitable for both continuous delivery and discrete dosage of watery solutions, solvents, oil and other viscous liquids. Accessories extending the operating parameters of the device are available.

#### Advantages

- Ex-certification ATEX conform with EU Directive 2014/34/EU
- High dosage precision precision CV < 1 % at low volumes
- Compact dimensions length < 295 mm, including Ex-motor
- Broad viscosity range methanol, solvents, adhesives, grease, gel
- Long service life wear-resistant tungsten carbide
- Low pulsation delivery, low shear stress rotary micro annular gear technology

## Dimensions



## Technical data

Flow rate	0.003 - 14 ml/min
Smallest dosage volume	0.5µl
Displacement volume	3µl
Differential pressure range	0 – 5 bar (73 psi)
Maximum inlet pressure	5 bar (73 psi), (10 bar (145) *)
Ambient temperature range	0 ... +40 (+104 °F)°C
Liquid temperature range	-5 ... +40 °C (+23 ... +104 °F)
Viscosity range	0.3 - 5,000 mPas
Precision CV	< 1% (Coefficient of variation CV)
Ex-certification	CE Ex II 2G c IIC T5 X
Place of installation	Ex-area zone 1, 2
Wetted parts	stainless steel 316L (1.4404, 1.4435), Ni-based tungsten carbide; shaft seal: graphite-reinforced PTFE, 316L; static seals: FPM, optional: EPDM, FFPM
Motor	DC-motor, 24 V DC, 2 A, 53 W, encoder: 500 counts per turn, type HEDL 5540
Velocity range	1 - 4,700 rpm
Cable length	10m
Weight	approx. 2,500 g
Remarks	* with optional fluidic seal module, Customized solutions on request.

### Notice

Even if single parameters are within the indicated performance range of technical data, certain parameter combinations may not be achievable. Single parameters may exceed their indicated performance range under adequate circumstances. For detailed evaluation please contact HNP Mikrosysteme. Actual performance may vary. Specifications are subject to change without notice.

## Accessories

- S-HD-KL
- Heat insulation module
- Double shell heating module
- mzr-Touch Control
- Reservoir Plastic

## Patents and trademarks

Micro annular gear pumps (and housings) are protected by assigned patents: EP 1 354 135 B1; US 7,698,818 B2; DE 10 2011 001 041 B4; CN 103 348 141 B; US 10,012,220 B2; CN 103 732 921 B; US 9,404,492 B2; US 6,520,757 B1.

HNPM<sup>®</sup>, mzr<sup>®</sup>, MoDoS<sup>®</sup>,  $\mu$ -Clamp<sup>®</sup>,  $\mu$ Dispense<sup>®</sup>, Centifluidic Technologies<sup>®</sup>, LiquiDoS<sup>®</sup>, smartDoS<sup>®</sup>, ColorDoS<sup>®</sup> are registered German trademarks of HNP Mikrosysteme GmbH.

## Contact

HNP Mikrosysteme GmbH  
Bleicherufer 25  
19053 Schwerin  
Germany

T +49 385 52190-300  
F +49 385 52190-333  
info@hnp-mikrosysteme.de

Last update 2019/08