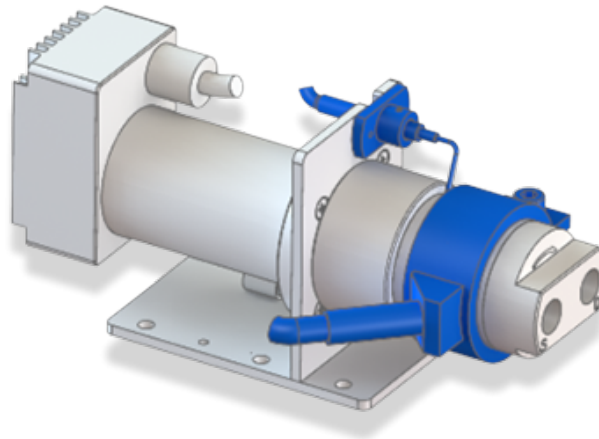


Product information

Electrical heating module · Supplementary Modules



Description

The electrical heating module enables active heating of the pump head. The max. temperature depends on the pump head's material combination. The motor is protected from overheating by a heat insulation module. The electrical heating module comprises a heating jacket covering the pump head and a thermal element which is mounted directly in the pump head. A temperature control unit should be used in order to control the temperature of the pump head.

Accessories

- Temperature control unit

Patents and trademarks

Micro annular gear pumps (and housings) are protected by assigned patents: EP 1 354 135 B1; US 7,698,818 B2; DE 10 2011 001 041 B4; CN 103 348 141 B; US 10,012,220 B2; CN 103 732 921 B; US 9,404,492 B2; US 6,520,757 B1.

HNPM[®], mzi[®], MoDoS[®], μ -Clamp[®], μ Dispense[®], Centifluidic Technologies[®], LiquiDoS[®], smartDoS[®], colorDoS[®] are registered German trademarks of HNP Mikrosysteme GmbH.

Contact

HNP Mikrosysteme GmbH
Bleicherufer 25
19053 Schwerin
Germany

T +49 385 52190-300
F +49 385 52190-333
sales@hnp-mikrosysteme.de

Last update 2023/06