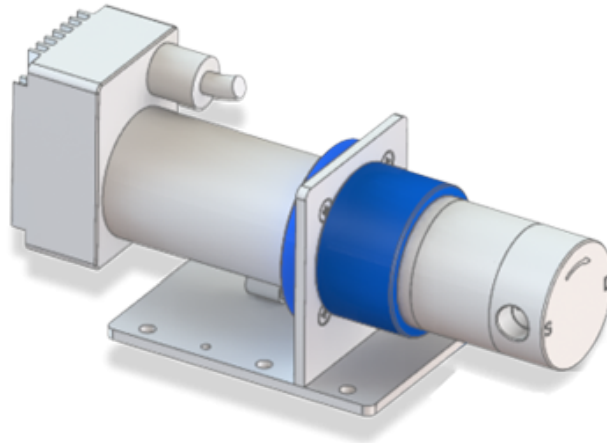


Product information

Heat insulation module - Supplementary Modules



Description

The heat insulation module allows the delivery of hot liquids up to 150 °C (302 °F). It includes a heat insulating coupling made of plastic (PEEK™) between the motor and the pump head. The heat transfer from the pump to the heat-sensitive motor is reduced to a certain extent. However, the motor can be damaged by temperatures exceeding the specified range (see product information). Convection cooling of the motor is recommended for high duty cycles and high liquid temperatures.

Patents and trademarks

Micro annular gear pumps (and housings) are protected by assigned patents: EP 1 354 135 B1; US 7,698,818 B2; DE 10 2011 001 041 B4; CN 103 348 141 B; US 10,012,220 B2; CN 103 732 921 B; US 9,404,492 B2; US 6,520,757 B1.

HNPM[®], mzt[®], MoDoS[®], µ-Clamp[®], µDispense[®], Centifluidic Technologies[®] are registered German trademarks of HNP Mikrosysteme GmbH.

Contact

HNP Mikrosysteme GmbH
Bleicherufer 25
19053 Schwerin
Germany

T +49 385 52190-300
F +49 385 52190-333
info@hnp-mikrosysteme.de

Last update 2019/07