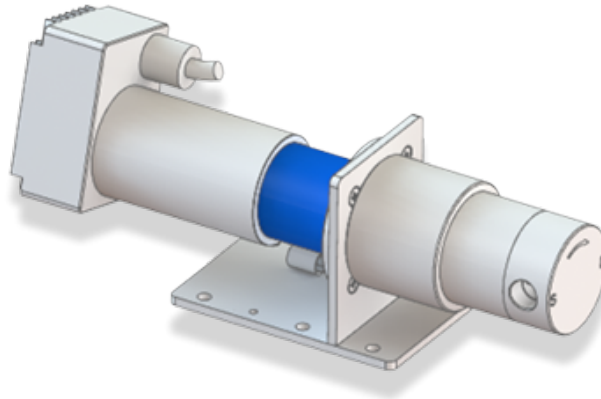


Product information

Reduction gear · Supplementary Modules



Description

The reduction gear increases the torque of the drive (limited speed) for the delivery of high viscosity liquids or operation at pressures exceeding 40 bar (600 psi). The reduction gear set (3.71 : 1) can only be used with the standard motor xx05 and the pump heads mzs-4600 and mzs-7200.

Patents and trademarks

Micro annular gear pumps (and housings) are protected by assigned patents: EP 1 354 135 B1; US 7,698,818 B2; DE 10 2011 001 041 B4; CN 103 348 141 B; US 10,012,220 B2; CN 103 732 921 B; US 9,404,492 B2; US 6,520,757 B1.

HNPM[®], mzs[®], MoDoS[®], µ-Clamp[®], µDispense[®], Centifluidic Technologies[®] are registered German trademarks of HNP Mikrosysteme GmbH.

Contact

HNP Mikrosysteme GmbH
Bleicherufer 25
19053 Schwerin
Germany

T +49 385 52190-300
F +49 385 52190-333
info@hnp-mikrosysteme.de

Last update 2019/07