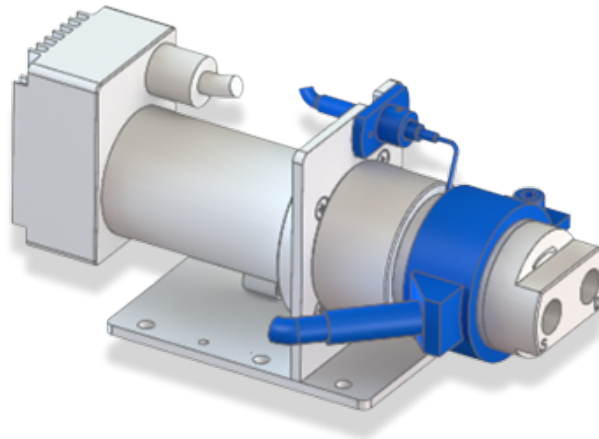


## Product information

### Electrical heating module · Supplementary Modules



#### Description

The electrical heating module enables active heating of the pump head. The max. temperature depends on the pump head's material combination. The motor is protected from overheating by a heat insulation module. The electrical heating module comprises a heating jacket covering the pump head and a thermal element which is mounted directly in the pump head. A temperature control unit should be used in order to control the temperature of the pump head.

#### Accessories

- Temperature control unit

#### Patents and trademarks

Micro annular gear pumps (and housings) are protected by assigned patents: EP 1 354 135 B1; US 7,698,818 B2; DE 10 2011 001 041 B4; CN 103 348 141 B; US 10,012,220 B2; CN 103 732 921 B; US 9,404,492 B2; US 6,520,757 B1.

HNP<sup>®</sup>, m<sub>z</sub>r<sup>®</sup>, MoDoS<sup>®</sup>, μ-Clamp<sup>®</sup>, μDispense<sup>®</sup>, Centifluidic Technologies<sup>®</sup>, LiquiDoS<sup>®</sup>, smartDoS<sup>®</sup>, ColorDoS<sup>®</sup> are registered German trademarks of HNP Mikrosysteme GmbH.

#### Contact

HNP Mikrosysteme GmbH  
Bleicherufer 25  
19053 Schwerin  
Germany

T +49 385 52190-300  
F +49 385 52190-333  
info@hnp-mikrosysteme.de

Last update 2019/08