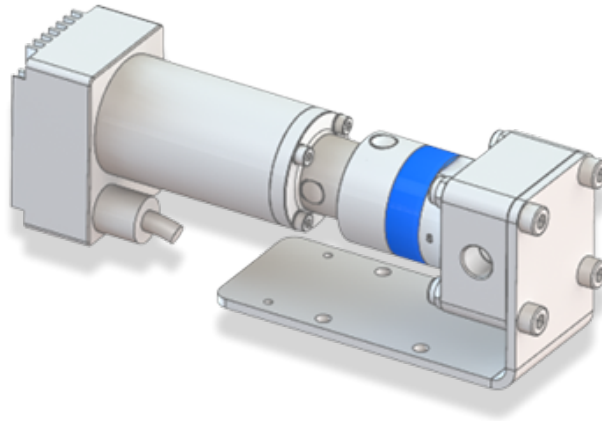


## Product information

### Additional axial bearing support · Supplementary Modules



#### Description

The additional axial bearing support extends the differential pressure range up to 40 bar and the maximum inlet pressure up to 5 bar.

#### Patents and trademarks

Micro annular gear pumps (and housings) are protected by assigned patents: EP 1 354 135 B1; US 7,698,818 B2; DE 10 2011 001 041 B4; CN 103 348 141 B; US 10,012,220 B2; CN 103 732 921 B; US 9,404,492 B2; US 6,520,757 B1.  
HNPM<sup>®</sup>, m<sub>z</sub>r<sup>®</sup>, MoDoS<sup>®</sup>, μ-Clamp<sup>®</sup>, μDispense<sup>®</sup>, Centrifluidic Technologies<sup>®</sup>, LiquiDoS<sup>®</sup>, smartDoS<sup>®</sup>, ColorDoS<sup>®</sup> are registered German trademarks of HNP Mikrosysteme GmbH.

#### Contact

HNP Mikrosysteme GmbH  
Bleicherufer 25  
19053 Schwerin  
Germany

T +49 385 52190-300  
F +49 385 52190-333  
info@hnp-mikrosysteme.de

Last update 2019/08