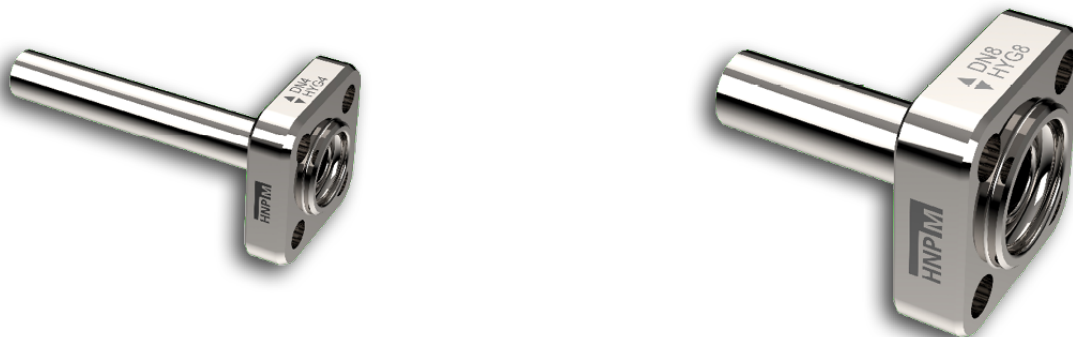


## Product information

### Flange connection HYG - Flange connection HYG



#### Description

The HYG connection is an optional flange connection for mzr<sup>®</sup>-pumps of the high performance, modular and hermetically inert series. The connection is available for size 63, 72 and 115 pumps and most of the F-MI filter series. The HYG connection has a low dead volume.

#### Advantages

- Low dead volume design
- No welded connection on filter or pump
- No undercuts or dirt pockets
- Corrosion resistant materials

#### Applications

- Chemical processing
- Microreaction technology
- Process engineering

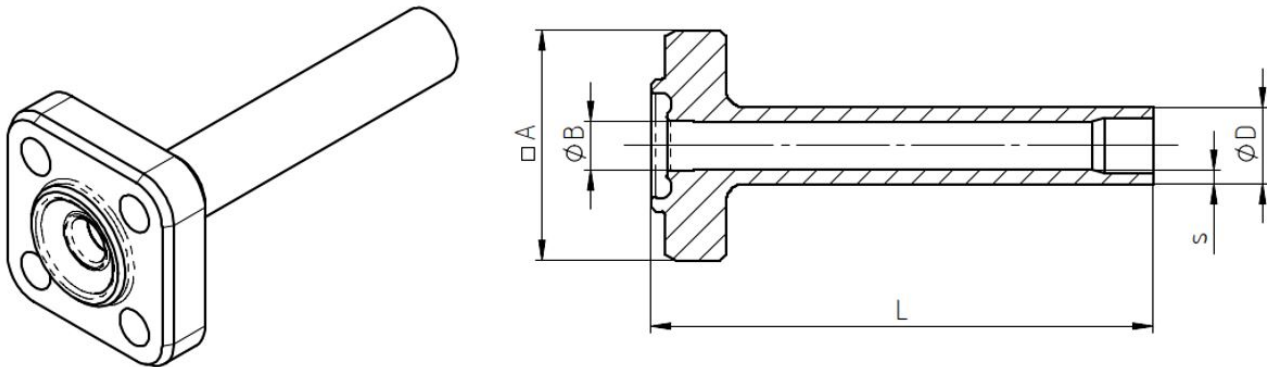
#### Technical data

Materials	Stainless steel 316L (1.4404), optional: alloy C22 (2.4602)
Seal materials	FPM, FFPM, EPDM
Max. operating pressure	60 bar [870 psi]
Operating temperature range	-40 ... +100 °C (-40 ... +212 °F) *
Remarks	* observe the temperature limits of the seal equipment

#### Notice

Even if single parameters are within the indicated performance range of technical data, certain parameter combinations may not be achievable. Single parameters may exceed their indicated performance range under adequate circumstances. For detailed evaluation please contact HNP Mikrosysteme. Actual performance may vary. Specifications are subject to change without notice. This document is subject to change without notice.

## Dimensions



	A [mm]	B [mm]	L [mm]	D [mm]	s [mm]	O-ring	screw size
HYG4-DN4	19	4	41.5	4	1	5 x 2	M3 x 10
HYG4-DN1/4"	19	4	41.5	6.35	0.89	5 x 2	M3 x 10
HYG8-DN8	30	8	41.5	10	1	10 x 3.5	M5 x 16
HYG8-DN3/8"	30	8	41.5	9.52	0.89	10 x 3.5	M5 x 16

## Patents and trademarks

Micro annular gear pumps (and housings) are protected by assigned patents: EP 1 354 135 B1; US 7,698,818 B2; DE 10 2011 001 041 B4; CN 103 348 141 B; US 10,012,220 B2; CN 103 732 921 B; US 9,404,492 B2; US 6,520,757 B1.

HNPM®, mzi®, MoDoS®, µ-Clamp®, µDispense®, Centifluidic Technologies®, LiquiDoS®, smartDoS®, colorDoS® are registered German trademarks of HNP Mikrosysteme GmbH.

## Contact

HNP Mikrosysteme GmbH  
 Bleicherufer 25  
 19053 Schwerin  
 Germany

T +49 385 52190-300  
 F +49 385 52190-333  
[sales@hnp-mikrosysteme.de](mailto:sales@hnp-mikrosysteme.de)

Last update 2023/09